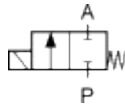




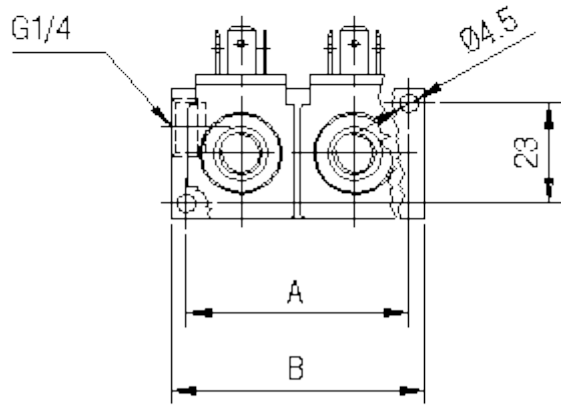
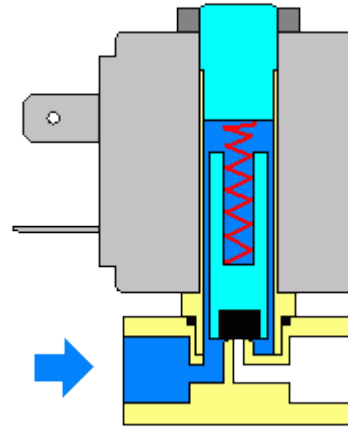
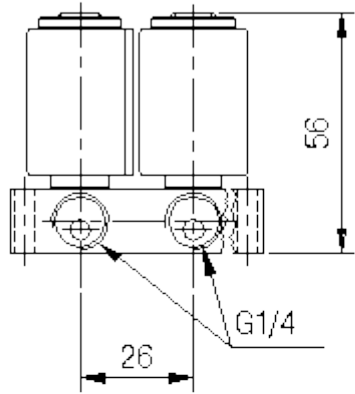
TECHNICAL DATA:

Internal parts: stainless steel
 Fluid temperature: -10°C to +90°C
 Ambient temperature: max +55°C
 Viscosity: max 21 mm²/s
 Response time: 10 to 20 ms
 Voltage: 230, 115, 48, 24 V
 50/60 Hz
 24, 12 V DC
 Duty cycle: continuous (ED100%)
 Cycling rate: max 1000 cycles/min
 Electrical protection: IP65 (with plug to DIN 43650)



Closed when de-energised (NC)

Ports	Orifice size [mm]	Kv [l/min] (water, 1 bar)	Differential pressure [bar]		Body	Seal	Coil type	Voltage	Power [W]	Number of outlets	Model	Order code
			min	max								
G1/4	4.5	4.6	0	0.5	Ms	NBR	TM25	230VAC	4	2	XD402	319442
										3	XD403	319443
										4	XD404	319441



Model	A	B
XD402	51	58
XD403	77	84
XD404	103	110