

FIL+DEP bit

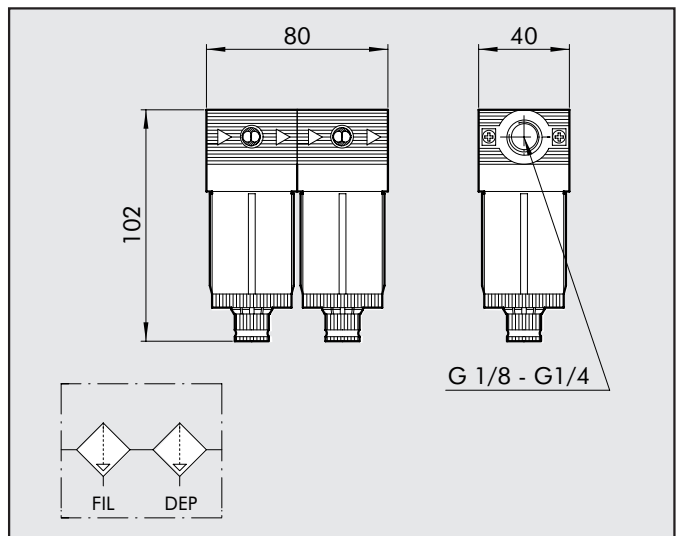
Compact filter + depurator unit for fine filtering followed by purification by coalescence.

- All-round condensate level viewing
- Condensate drainage - manual/semi-auto (RMSA) or automatic (SAC) on the filter
- 5 mm filter element.



TECHNICAL DATA	F+D BIT 1/8"	F+D BIT 1/4"
Threaded port	1/8"	1/4"
Degree of purification	5µ filter – 99.97% depurator at 0.01 µm	
Max. inlet pressure	MPa	1.3
	bar	13
	psi	188
Flow rate at 6.3 bar (0.63 MPa-91 psi) NI/min	500	
ΔP 0.5 bar (0.05 MPa – 7 psi)	scfm 18	
Flow rate at 6.3 bar (0.63 MPa-91 psi) NI/min	750	
ΔP 1 bar (0.1 MPa – 14 psi)	scfm 27	
Fluid	Compressed air	
Max temperature	°C	50
at 1 MPa; 10 bar; 145 psi	°F	122
Weight	gr	110
Mounting position	Vertical	
Condensate drain	Manual – Semi-auto (RMSA) - Automatic (SAC)	
Notes	See chapters regarding individual elements	

DIMENSIONS



KEY TO CODES

F+D	BIT	1/4	5µm	RMSA
ELEMENT	SIZE	THREADED PORT	DEGREE OF FILTRATION	CONDENSATE DRAIN
F+D	BIT	1/8 1/4	5µm	RMSA SAC

RMSA: Manual/semi-auto drain
SAC: Automatic drain. Operates by depression – requires variable air take-offs.

ORDERING CODES

Code	Description
5114001	F+D BIT 1/8 5 RMSA-RMSA
5114002	F+D BIT 1/8 5 SAC-RMSA
5214001	F+D BIT 1/4 5 RMSA-RMSA
5214002	F+D BIT 1/4 5 SAC-RMSA