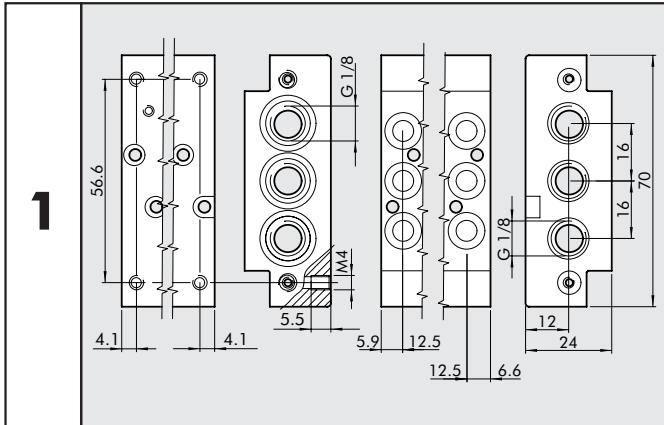


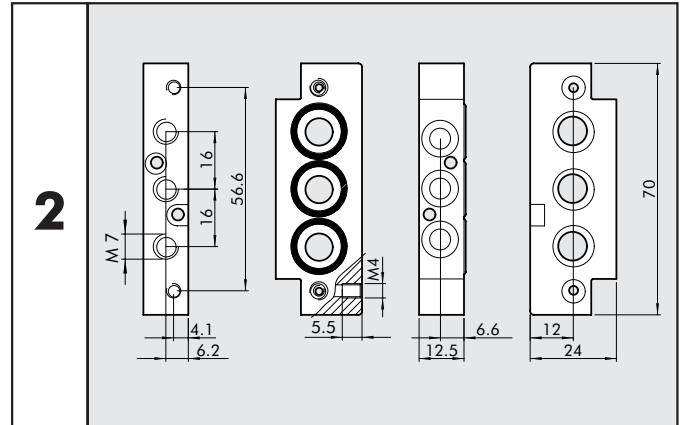
ACCESSORIES: MANIFOLD BASES FOR MACH 11 VALVES

MULTIPLE MANIFOLD BASE



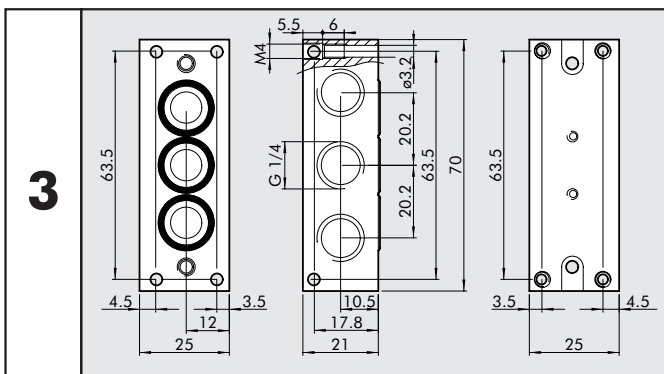
Code	Description	Weight [g]
0227400201	BASE, 2 POSN. FOR MACH 11	94
0227400301	BASE, 3 POSN. FOR MACH 11	140
0227400401	BASE, 4 POSN. FOR MACH 11	186
0227400601	BASE, 6 POSN. FOR MACH 11	282
0227400801	BASE, 8 POSN. FOR MACH 11	378

SEPARATE FEED MANIFOLD BASE



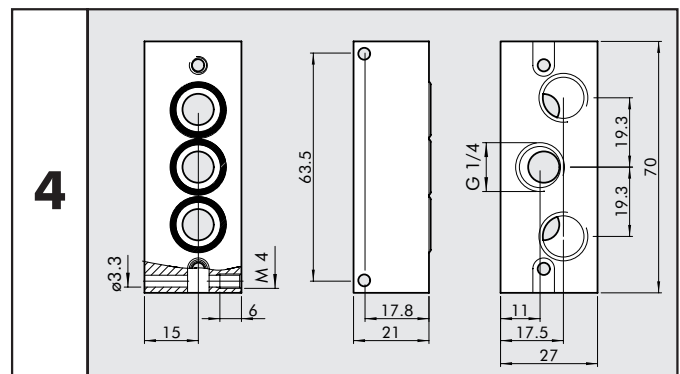
Code	Description	Weight [g]
0227400200	SEPARATE FEED MANIFOLD BASE FOR MACH 11	44

90° END PLATE



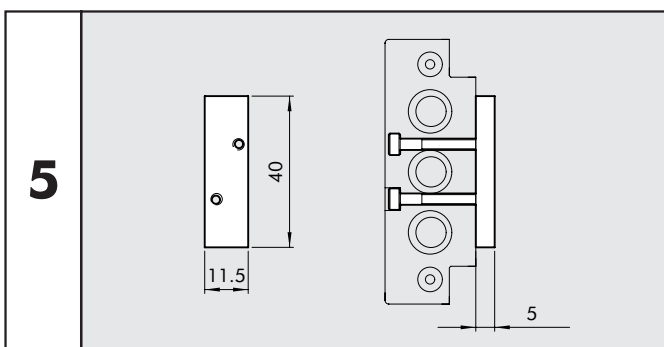
Code	Description	Weight [g]
0227400101	90° END PLATE 1/4 MACH 11	82

STRAIGHT END PLATE



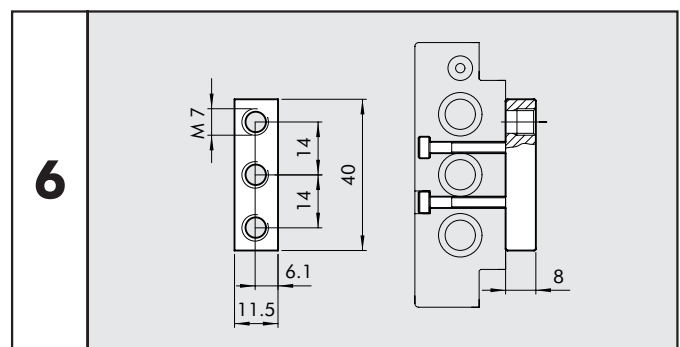
Code	Description	Weight [g]
0227400100	STRAIGHT END PLATE 1/4 FOR MACH 11	93

BLANKING PLATE



Code	Description	Weight [g]
0227400500	BLANKING PLATE FOR MACH 11	13

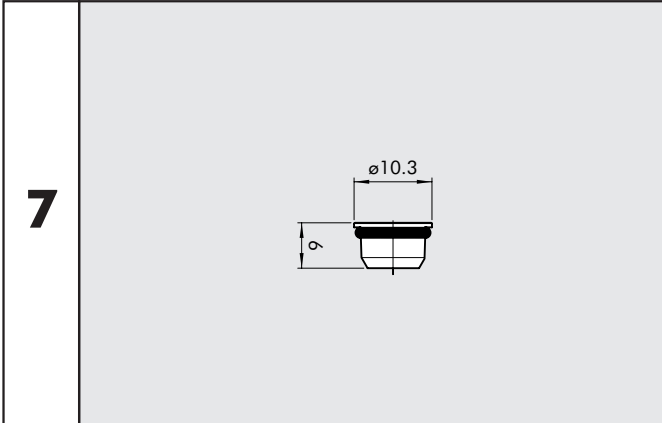
FEED BLOCK



Code	Description	Weight [g]
0227400503	M7 FEED BLOCK FOR MACH 11	11

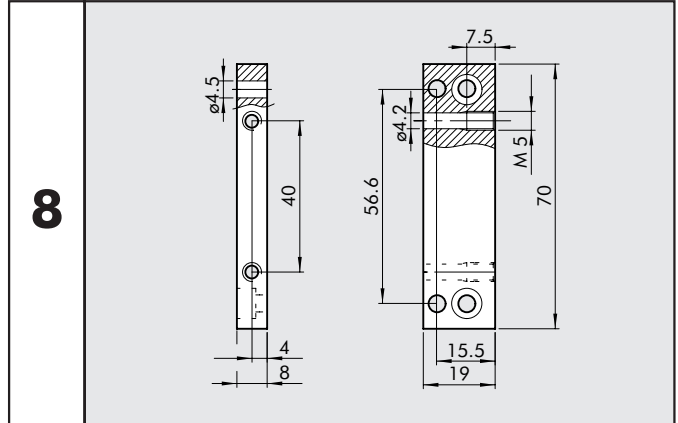
2

DIAPHRAGM



Code	Description	Weight [g]
022740000	DIAPHRAGM FOR MACH 11 BASES	3

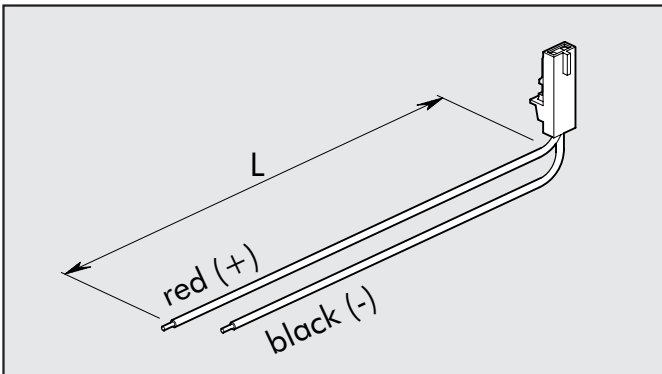
BASE FIXING PLATE



Code	Description	Weight [g]
022740054	FIXING PLATE FOR MACH 11 BASES	28

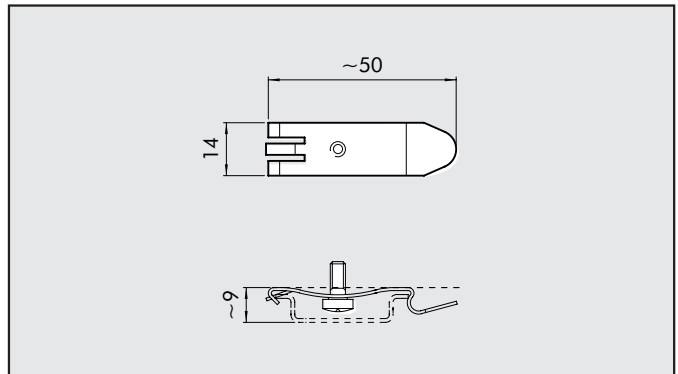
ACCESSORIES

PLUG-IN CONNECTOR



Code	Description
W0970512000	PLUG-IN CONNECTOR FOR MACH 11 L= 300

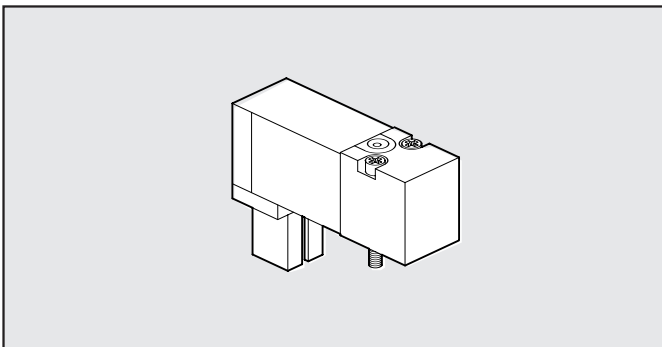
CONNECTION BRACKET ON DIN BAR



Code	Description
0227300600	CONNECTION BRACKET ON DIN BAR

SPARE PARTS

PLUG-IN PILOT FOR MACH 11



Codice	Descrizione
W4005001000	PILOTA PLUG-IN MACH 11 24VDC LED

NOTES

Blank area for notes.